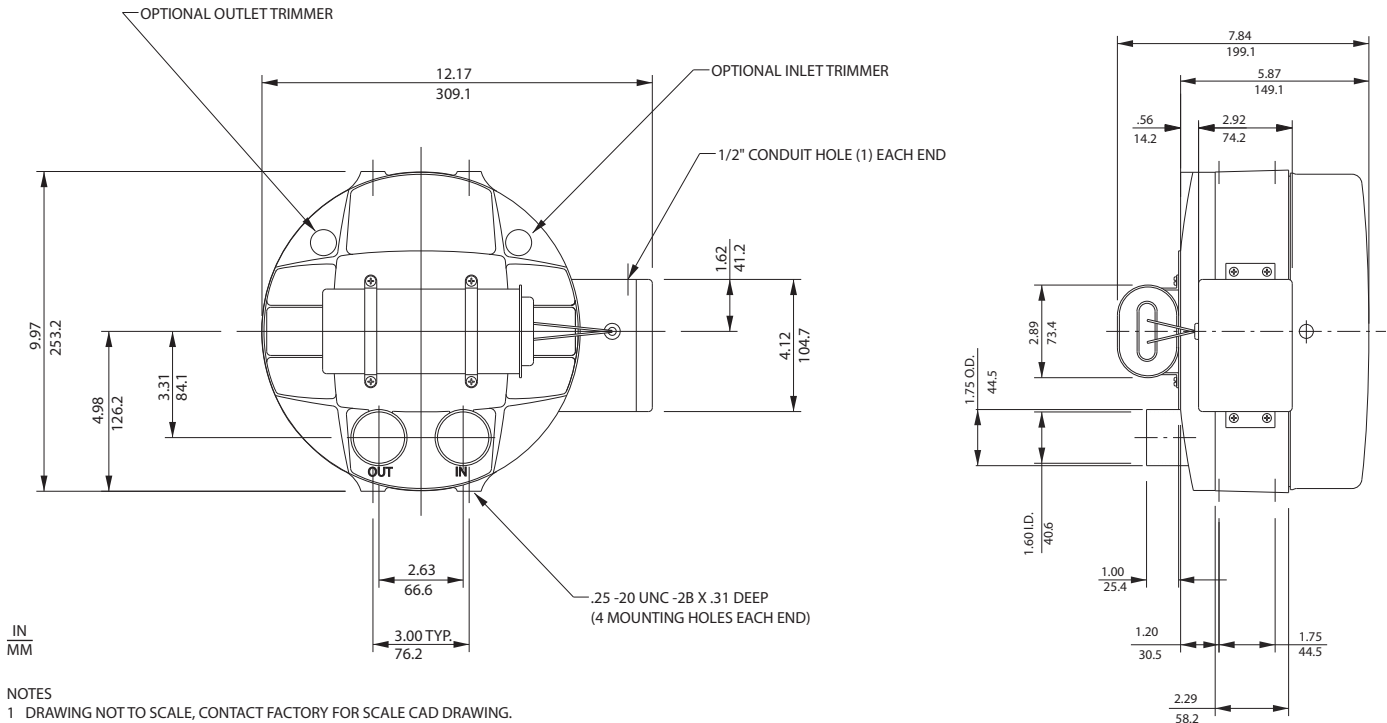


Application Specific Blowers

SPIRAL Simplex SL2

Instrument Grade Regenerative Blower

ROTRON®



Specification	Units	Part/Model Number		
		SL2P2 036000	SL2P52 036013	SL2P90 036018
Motor Enclosure - Shaft Mtl.	-	ODP-CS	ODP-CS	ODP-CS
Horsepower	-	.5	.5	.5
Voltage	AC	115	208-230	380/460
Phase - Frequency	-	Single-50/60 Hz	Single 60 Hz	Three-50/60 Hz
Insulation Class	-	B	B	B
Full - Load Amps	Amps (A)	2.45/3.60	.95/1.54	.34/.41
Service Factor	-	1.0	1.0	1.0
Locked Rotor Amps	Amps (A)	10.0	4.3	1.9
NEMA Starter Size	-	00/00	00/00	00/00
Shipping Weight	Lbs	27	27	27
	Kg	12.2	12.2	12.2

Voltage - ROTRON motors are designed to handle a broad range of world voltages and power supply variations. Our dual voltage 3 phase motors are factory tested and certified to operate on both: **208-230/415-460 VAC-3 ph-60 Hz** and **190-208/380-415 VAC-3 ph-50 Hz**. Our dual voltage 1 phase motors are factory tested and certified to operate on both: **104-115/208-230 VAC-1 ph-60 Hz** and **100-110/200-220 VAC-1 ph-50 Hz**. All voltages above can handle a $\pm 10\%$ voltage fluctuation. Special wound motors can be ordered for voltages outside our certified range.

Operating Temperatures - Maximum operating temperature: Motor winding temperature (winding rise plus ambient) should not exceed 140°C for Class F rated motors or 120°C for Class B rated motors. Blower outlet air temperature should not exceed 140°C (air temperature rise plus inlet temperature). Performance curve maximum pressure and suction points are based on a 40°C inlet and ambient temperature. Consult factory for inlet or ambient temperatures above 40°C .

Maximum Blower Amps - Corresponds to the performance point at which the motor or blower temperature rise with a 40°C inlet and/or ambient temperature reaches the maximum operating temperature.

This document is for informational purposes only and should not be considered as a binding description of the products or their performance in all applications. The performance data on this page depicts typical performance under controlled laboratory conditions. AMETEK is not responsible for blowers driven beyond factory specified speed, temperature, pressure, flow or without proper alignment. Actual performance will vary depending on the operating environment and application. AMETEK products are not designed for and should not be used in medical life support applications. AMETEK reserves the right to revise its products without notification. The above characteristics represent standard products. For product designed to meet specific applications, contact AMETEK Technical & Industrial Products Sales department.

AMETEK TECHNICAL & INDUSTRIAL PRODUCTS
75 North Street, Saugerties, NY 12477
USA: +1 215-256-6601 - Europe: +44 (0) 845 366 9664 - Asia: +86 21 5763 1258
Customer Service Fax: +1 215.256.1338
www.ametektip.com

FEATURES

- Manufactured in the USA - ISO 9001 and NAFTA compliant
- CE compliant - Declaration of Conformity on file
- Maximum flow: 60 SCFM
- Maximum pressure: 32 IWG
- Maximum vacuum: 31.3 IWG
- Standard motor: 0.5 HP, ODP
- Cast aluminum blower housing, impeller & cover; slip-on flanges
- Motor with permanently sealed ball bearings
- Inlet & outlet internal muffling
- Quiet operation within OSHA standards
- Thermal overload protection

OPTIONS

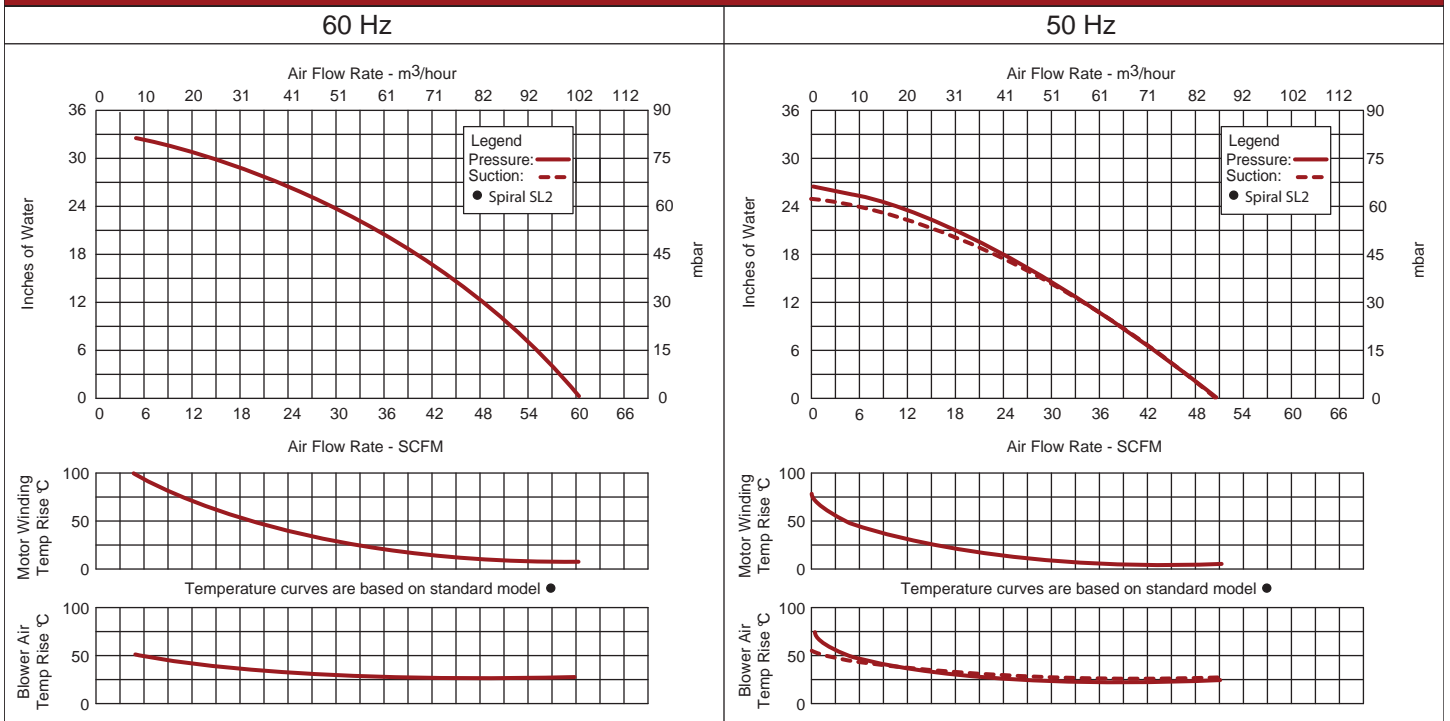
- International voltage & frequency (Hz)
- Hermetically sealed
- UL & CSA approved motor
- Remote drive (motorless) model
- Factory installed trimmers for adjusting air flow rate

ACCESSORIES

- Flowmeters reading in SCFM
- Filters & moisture separators
- Pressure gauges, vacuum gauges, & relief valves
- Switches - air flow, pressure, vacuum, or temperature
- External mufflers for additional silencing
- Air knives (used on blow-off applications)



Blower Performance at Standard Conditions



This document is for informational purposes only and should not be considered as a binding description of the products or their performance in all applications. The performance data on this page depicts typical performance under controlled laboratory conditions. AMETEK is not responsible for blowers driven beyond factory specified speed, temperature, pressure, flow or without proper alignment. Actual performance will vary depending on the operating environment and application. AMETEK products are not designed for and should not be used in medical life support applications. AMETEK reserves the right to revise its products without notification. The above characteristics represent standard products. For product designed to meet specific applications, contact AMETEK Technical & Industrial Products Sales department.