

**CONTINUOUS HINGE WITH QUARTER-TURN LATCH, TYPE 4**

**INDUSTRY STANDARDS**

UL 508A Listed; Type 4, 12; File No. E61997  
 cUL Listed per CSA C22.2 No. 94 Listed; Type 4, 12; File No. E61997

NEMA/EEMAC Type 4 and 12  
 IEC 60529, IP 66

**APPLICATION**

This enclosure provides the convenience of quarter-turn latching with an aesthetic, easy-to-maintain light gray textured finish.

**SPECIFICATIONS**

- 16 or 14 gauge steel
- Seams continuously welded and ground smooth
- Continuous hinge
- Bonding provision on door
- External welded-on mounting brackets for easy installation
- Oil-resistant gasket
- Quarter-turn slotted latches
- Seamless foam-in-place gasket
- Weldnuts provided for mounting optional panels and terminal block kits in size 6.00 x 4.00 in. (152 x 102 mm) and larger

**FINISH**

RAL 7035 gray polyester powder paint inside and out.

**ACCESSORIES**

Panels for Junction Boxes  
 Junction Box and Wall-Mount Enclosure Swing Out Panel Kit  
 Terminal Block Kit Assembly for Junction Boxes  
 Steel and Stainless Steel Window Kits

**MODIFICATION AND CUSTOMIZATION**

Hoffman excels at modifying and customizing products to your specifications. Contact your local Hoffman sales office or distributor for complete information.

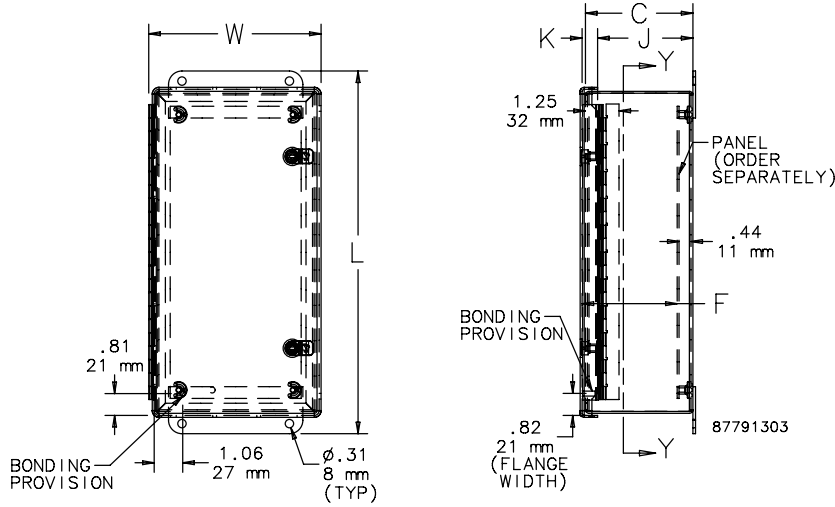
**BULLETIN: A51FL**

**Standard Product**

Catalog Number	AxBxC in./mm	Gauge	Panel	Conductive Panel	Panel Size in./mm	Mounting G x H in./mm	Overall L x W in./mm	F in./mm	J in./mm	K in./mm	T in./mm	V in./mm	Y in./mm	No. of Latches
A404CHFL	4.00 x 4.00 x 3.00 102 x 102 x 76	16	No Panel	No Panel	—	4.75 x 2.00 121 x 51	5.50 x 4.41 140 x 112	—	2.62 66	0.54 14	3.00 76	—	—	1
A604CHFL	6.00 x 4.00 x 3.00 152 x 102 x 76	16	A6P4	A6P4G	4.88 x 2.88 124 x 73	6.75 x 2.00 171 x 51	7.50 x 4.41 191 x 112	2.53 64	2.62 66	0.54 14	3.00 76	0.31 8	0.56 14	1
A806CHFL	8.00 x 6.00 x 3.50 203 x 152 x 89	14	A8P6	A8P6G	6.75 x 4.88 171 x 124	8.75 x 4.00 222 x 102	9.50 x 6.41 241 x 163	3.03 77	3.12 79	0.56 14	5.00 127	0.25 6	0.62 16	2
A4044CHFL	4.00 x 4.00 x 4.00 102 x 102 x 102	16	No Panel	No Panel	—	4.75 x 2.00 121 x 51	5.50 x 4.41 140 x 112	—	3.62 92	0.54 14	3.00 76	—	—	1
A6044CHFL	6.00 x 4.00 x 4.00 152 x 102 x 102	16	A6P4	A6P4G	4.88 x 2.88 124 x 73	6.75 x 2.00 171 x 51	7.50 x 4.41 191 x 112	3.53 90	3.62 92	0.54 14	3.00 76	0.31 8	0.56 14	1
A606CHFL	6.00 x 6.00 x 4.00 152 x 152 x 102	16	A6P6	A6P6G	4.88 x 4.88 124 x 124	6.75 x 4.00 171 x 102	7.50 x 6.41 191 x 163	3.53 90	3.62 92	0.54 14	5.00 127	0.31 8	0.56 14	1
A808CHFL	8.00 x 8.00 x 4.00 203 x 203 x 102	14	A8P8	A8P8G	6.75 x 6.88 171 x 175	8.75 x 6.00 222 x 152	9.50 x 8.41 241 x 214	3.53 90	3.62 92	0.56 14	7.00 178	0.25 6	0.62 16	2
A1008CHFL	10.00 x 8.00 x 4.00 254 x 203 x 102	14	A10P8	A10P8G	8.75 x 6.88 222 x 175	10.75 x 6.00 273 x 152	11.50 x 8.41 292 x 214	3.53 90	3.62 92	0.56 14	7.00 178	0.25 6	0.62 16	2
A12064CHFL	12.00 x 6.00 x 4.00 305 x 152 x 102	14	A12P6	A12P6G	10.75 x 4.88 273 x 124	12.75 x 4.00 324 x 102	13.50 x 6.41 343 x 163	3.53 90	3.62 92	0.56 14	5.00 127	0.25 6	0.62 16	2
A1210CHFL	12.00 x 10.00 x 5.00 305 x 254 x 127	14	A12P10	A12P10G	10.75 x 8.88 273 x 226	12.75 x 8.00 324 x 203	13.50 x 10.41 343 x 264	4.53 115	4.62 117	0.56 14	9.00 229	0.25 6	0.62 16	2
A8066CHFL	8.00 x 6.00 x 6.00 203 x 152 x 152	14	A8P6	A8P6G	6.75 x 4.88 171 x 124	8.75 x 4.00 222 x 102	9.50 x 6.41 241 x 163	5.53 140	5.62 143	0.56 14	5.00 127	0.25 6	0.62 16	2
A10086CHFL	10.00 x 8.00 x 6.00 254 x 203 x 152	14	A10P8	A10P8G	8.75 x 6.88 222 x 175	10.75 x 6.00 273 x 152	11.50 x 8.41 292 x 214	5.53 140	5.62 (143) 143	0.56 14	7.00 178	0.25 6	0.62 16	2
A10106CHFL	10.00 x 10.00 x 6.00 254 x 254 x 152	14	A10P10	A10P10G	8.75 x 8.88 222 x 226	10.75 x 8.00 273 x 203	11.50 x 10.41 292 x 264	5.53 140	5.62 (143) 143	0.56 14	9.00 229	0.25 6	0.62 16	2
A1212CHFL	12.00 x 12.00 x 6.00 305 x 305 x 152	14	A12P12	A12P12G	10.75 x 10.88 273 x 276	12.75 x 10.00 324 x 254	13.50 x 12.41 343 x 314	5.53 140	5.62 (143) 143	0.56 14	11.00 279	0.25 6	0.62 16	2
A14086CHFL	14.00 x 8.00 x 6.00 356 x 203 x 152	14	A14P8	A14P8G	12.75 x 6.88 324 x 175	14.75 x 6.00 375 x 152	15.50 x 8.41 394 x 214	5.53 140	5.62 (143) 143	0.56 14	7.00 178	0.25 6	0.62 16	2
A1412CHFL	14.00 x 12.00 x 6.00 356 x 305 x 152	14	A14P12	A14P12G	12.75 x 10.88 324 x 276	14.75 x 10.00 375 x 254	15.50 x 12.41 394 x 314	5.53 140	5.62 (143) 143	0.56 14	11.00 279	0.25 6	0.62 16	2
A16106CHFL	16.00 x 10.00 x 6.00 406 x 254 x 152	14	A16P10	A16P10G	14.75 x 8.88 375 x 226	16.75 x 8.00 425 x 203	17.50 x 10.41 445 x 264	5.53 140	5.62 (143) 143	0.56 14	9.00 229	0.25 6	0.62 16	2

Catalog Number	AxBxC in./mm	Gauge	Panel	Conductive Panel	Panel Size in./mm	Mounting C x H in./mm	Overall L x W in./mm	F in./mm	J in./mm	K in./mm	T in./mm	V in./mm	Y in./mm	No. of Latches
A1614CHFL	16.00 x 14.00 x 6.00 406 x 356 x 152	14	A16P14	A16P14G	14.75 x 12.88 375 x 327	16.75 x 12.00 425 x 305	17.50 x 14.41 445 x 366	5.53 140	5.62 (143) 143	0.56 14	13.00 330	0.25 6	0.62 16	2
A12108CHFL	12.00 x 10.00 x 8.00 305 x 254 x 203	14	A12P10	A12P10G	10.75 x 8.88 273 x 226	12.75 x 8.00 324 x 203	13.50 x 10.41 343 x 264	7.53 191	7.62 194	0.56 14	9.00 229	0.25 6	0.62 16	2
<b>A14128CHFL</b>	<b>14.00 x 12.00 x 8.00</b> 356 x 305 x 203	14	A14P12	A14P12G	12.75 x 10.88 324 x 276	14.75 x 10.00 375 x 254	15.50 x 12.41 394 x 314	7.53 191	7.62 194	0.56 14	11.00 279	0.25 6	0.62 16	2
A16148CHFL	16.00 x 14.00 x 8.00 406 x 356 x 203	14	A16P14	A16P14G	14.75 x 12.88 375 x 327	16.75 x 12.00 425 x 305	17.50 x 14.41 445 x 366	7.53 191	7.62 104	0.56 14	13.00 330	0.25 6	0.62 16	2
A161410CHFL	16.00 x 14.00 x 10.00 406 x 356 x 254	14	A16P14	A16P14G	14.75 x 12.88 375 x 327	16.75 x 12.00 425 x 305	17.50 x 14.41 445 x 366	9.53 242	9.62 244	0.56 14	13.00 330	0.25 6	0.62 16	2

Purchase panels separately. Optional stainless steel, conductive, composite and aluminum panels are available for most sizes.



SECTION Y-Y